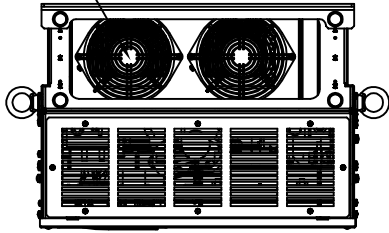
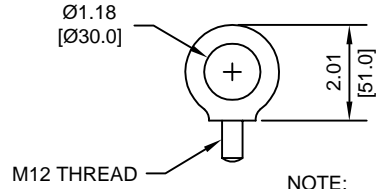


(2) EXTERNAL COOLING FANS

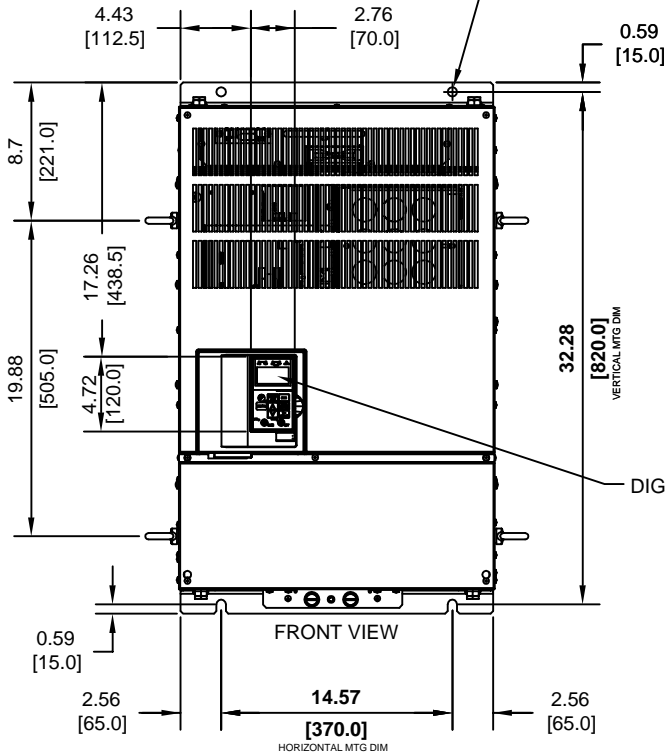


LIFTING AND EYEBOLT DETAILS



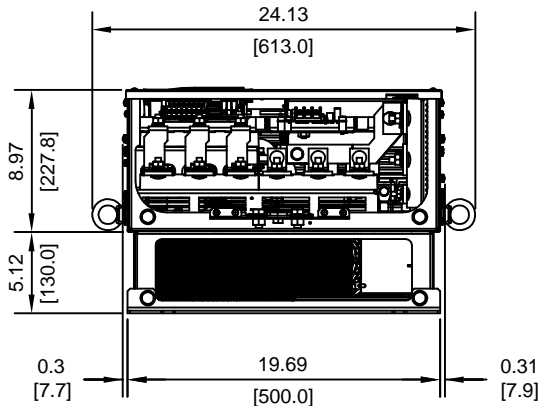
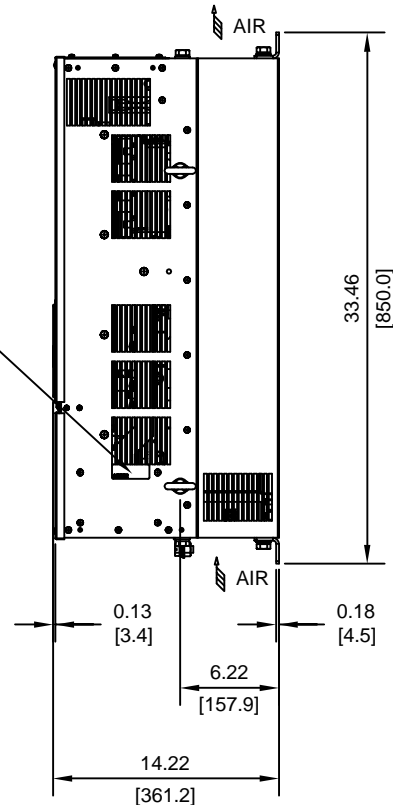
NOTE:
SPREADER BAR REQUIRED TO AVOID DAMAGE DURING LIFTING

(4)-MOUNTING HOLES FOR 1/2" [M12] SCREWS



NAMEPLATE

DIGITAL OPERATOR



MODEL #	VOLTAGE (VAC)	OUTPUT CURRENT (A)	WEIGHT LBS (Kg)	HEAT LOSS (W)		
				INT	EXT	TOTAL
CIMR-E7U 2090	208/230	360	238 (108)	964	2194	3158
4110	480	240	224 (102)	847	1889	2736
4132		260	264 (120)	1005	2388	3393

INT=INTERNAL COMPONENTS
EXT=EXTERNAL HEATSINK

FOR ADDITIONAL DETAILS AND SPECIFICATIONS, CONSULT MANUAL

TOLERANCES/REFERENCES:



YASKAWA ELECTRIC AMERICA, INC.
Corporate Headquarters
2121 Norman Drive South
Waukegan, IL 60085
1-800-YASKAWA
http://www.yaskawa.com

DRAWN: J. MATTAS

DATE: 5-2-05

TITLE: E7 DIMENSION DRAWING

CHECKED: M. RUCINSKI

DATE: 6-5-05

FRAME SIZE 11
IP00 ENCLOSURE

TECH: J. CAIRO

DATE: 5-4-05

E7U2090, 4110 TO 4132

APPROVED: T. SASADA

DATE: 6-8-05

SIZE	REVISION	PAGE
A	R00	1 of 3

ORIGINAL DESIGN: -

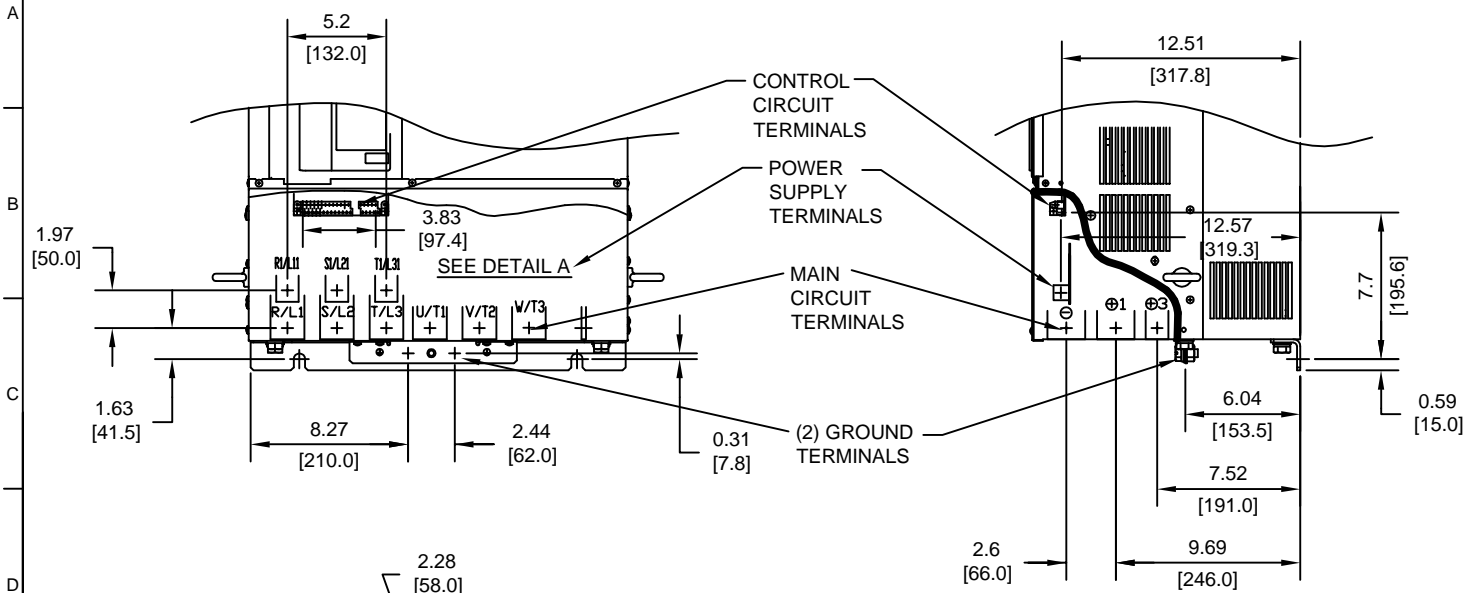
DATE: -

DRAWING #: **DD.E7.FR11.IP00.01**

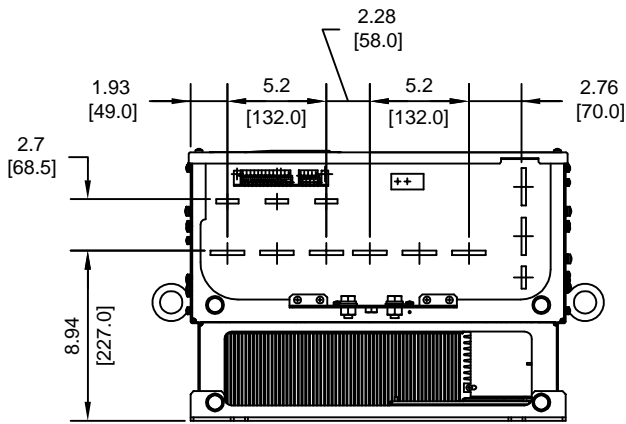
UNITS: IN[mm]

SCALE: 1:12

TERMINAL AND WIRING DETAILS (SCALE 1:10)

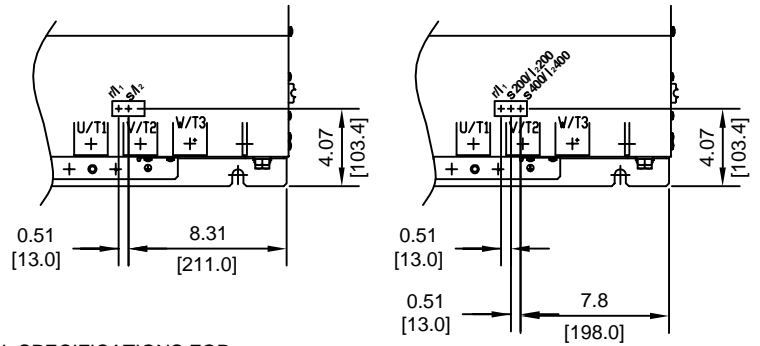


DETAIL A (SCALE 1:10)



MODEL E7U2090

MODELS E7U4110 AND E7U4132



TERMINAL SPECIFICATIONS FOR MAIN CIRCUIT AND GROUND

MODEL # CIMR-E7U	TERMINAL SYMBOL	TERMINAL SCREW	CLAMPING TORQUE lb.in.(N.m.)
2090	R/L1, S/L2, T/L3, ⊕, ⊕1, ⊕, U/T1, V/T2, W/T3, R1/L11, S1/L21, T1/L31	M12	276 TO 345 (31.4 TO 39.2)
	⊕3	M8	78.0 TO 95.0 (8.8 TO 10.8)
	r1 1, s/2	M4	11.4 TO 12.3 (1.3 TO 1.4)
4110	R/L1, S/L2, T/L3, ⊕, ⊕1, U/T1, V/T2, W/T3, R1/L11, S1/L21, T1/L31	M10	155 TO 198 (17.6 TO 22.5)
	⊕3	M8	78.0 TO 95.0 (8.8 TO 10.8)
	⊕	M12	276 TO 345 (31.4 TO 39.2)
	r1 1, s200/2 200, s400/2 400	M4	11.4 TO 12.3 (1.3 TO 1.4)
4132	R/L1, S/L2, T/L3, ⊕, ⊕1, U/T1, V/T2, W/T3, R1/L11, S1/L21, T1/L31	M10	155 TO 198 (17.6 TO 22.5)
	⊕3	M8	78.0 TO 95.0 (8.8 TO 10.8)
	⊕	M12	276 TO 345 (31.4 TO 39.2)
	r1 1, s200/2 200, s400/2 400	M4	11.4 TO 12.3 (1.3 TO 1.4)

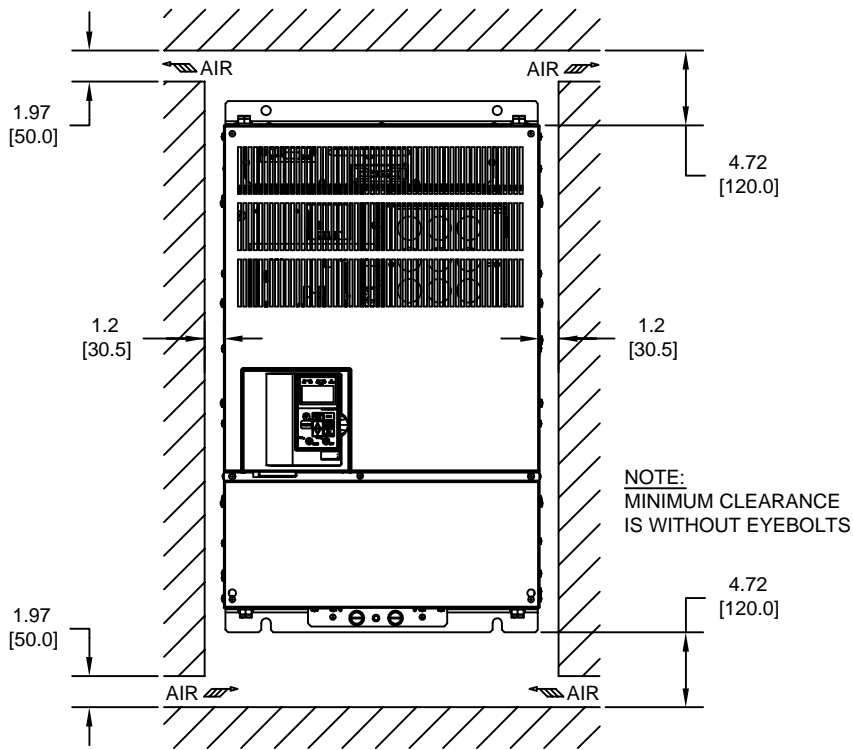
NOTE: REFER TO APPLICABLE CODES FOR PROPER WIRE TYPE AND SIZE

FOR ADDITIONAL DETAILS AND SPECIFICATIONS, CONSULT MANUAL

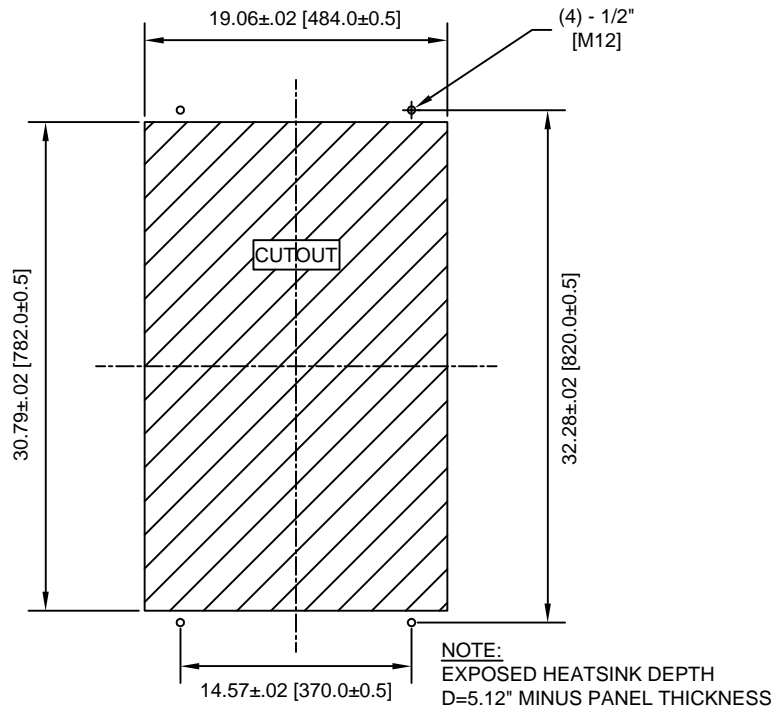
TOLERANCES/REFERENCES: - - - -	<p>YASKAWA A World of Automation Solutions™</p> <p>YASKAWA ELECTRIC AMERICA, INC. Corporate Headquarters 2121 Norman Drive South Waukegan, IL 60085 1-800-YASKAWA http://www.yaskawa.com</p>	DRAWN: J. MATTAS	DATE 5-2-05	TITLE: E7 DIMENSION DRAWING			
		CHECKED: M. RUCINSKI	DATE 6-5-05	FRAME SIZE 11			
		TECH: J. CAIRO	DATE 5-4-05	IP00 ENCLOSURE			
		APPROVED: T. SASADA	DATE 6-8-05	E7U2090, 4110 TO 4132			
UNITS: IN[mm]	SCALE: BY VIEW	ORIGINAL DESIGN: -	DATE -	<table border="1"> <tr> <td>SIZE A</td> <td>REVISION R00</td> <td>PAGE 2 of 3</td> </tr> </table>	SIZE A	REVISION R00	PAGE 2 of 3
SIZE A	REVISION R00	PAGE 2 of 3					

DD.E7.FR11.IP00.01


MINIMUM INSTALLATION CLEARANCES (SCALE 1:12)



PANEL CUTOUT FOR EXTERNAL HEATSINK MOUNTING CONFIGURATION (SCALE 1:12)



FOR ADDITIONAL DETAILS AND SPECIFICATIONS, CONSULT MANUAL

TOLERANCES/REFERENCES: - - - - - - - - - -		 YASKAWA <i>A World of Automation Solutions™</i> YASKAWA ELECTRIC AMERICA, INC. Corporate Headquarters 2121 Norman Drive South Waukegan, IL 60085 1-800-YASKAWA http://www.yaskawa.com	DRAWN: J. MATTAS	DATE: 5-2-05	TITLE: E7 DIMENSION DRAWING		
UNITS: IN[mm]	SCALE: BY VIEW		CHECKED: M. RUCINSKI	DATE: 6-5-05	FRAME SIZE 11		
		TECH: J. CAIRO	DATE: 5-4-05	IP00 ENCLOSURE			
		APPROVED: T. SASADA	DATE: 6-8-05	E7U2090, 4110 TO 4132			
		ORIGINAL DESIGN: -	DATE: -	SIZE: A	REVISION: R00	PAGE: 3 of 3	
		DRAWING #: DD.E7.FR11.IP00.01					